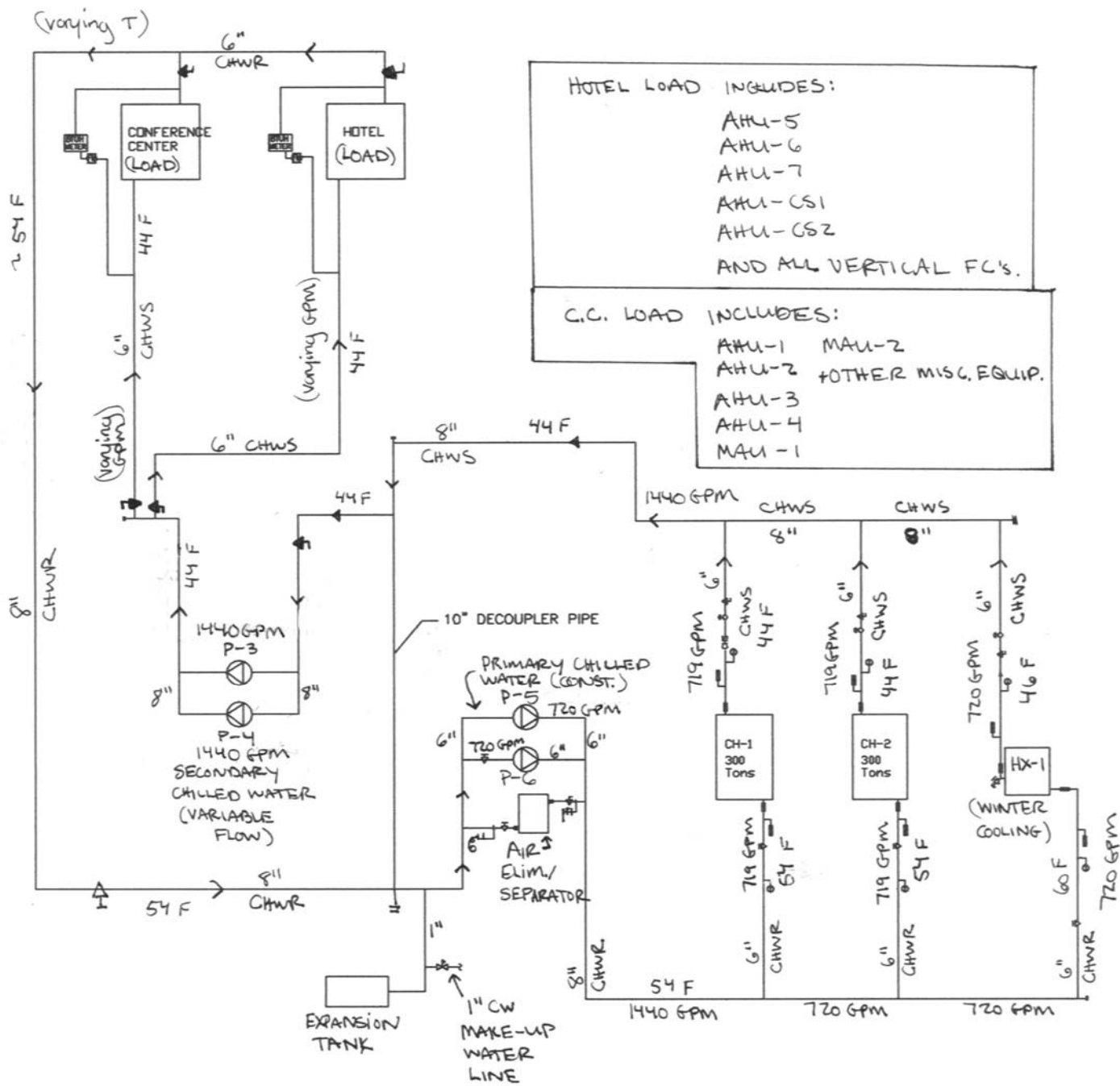
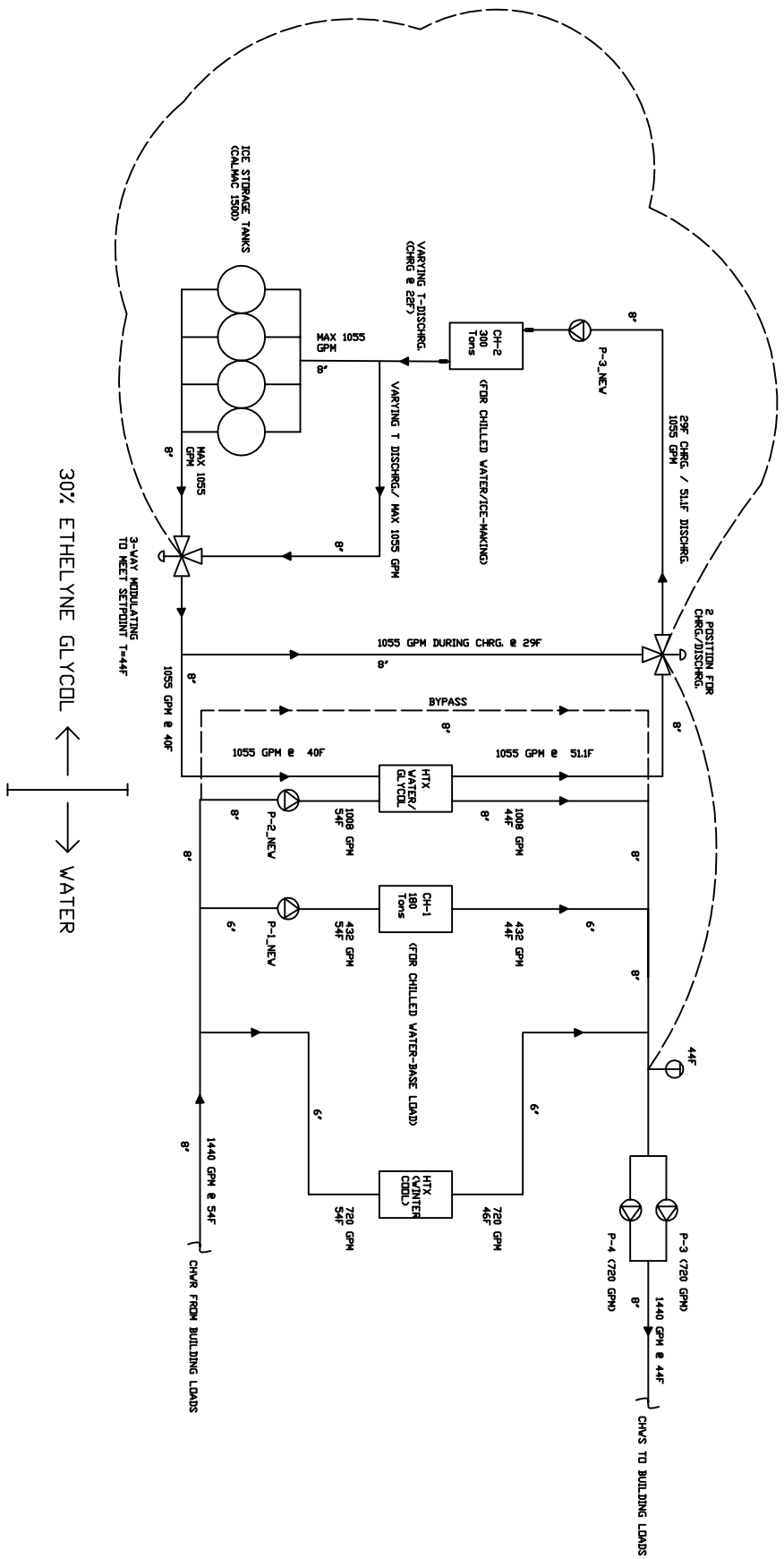




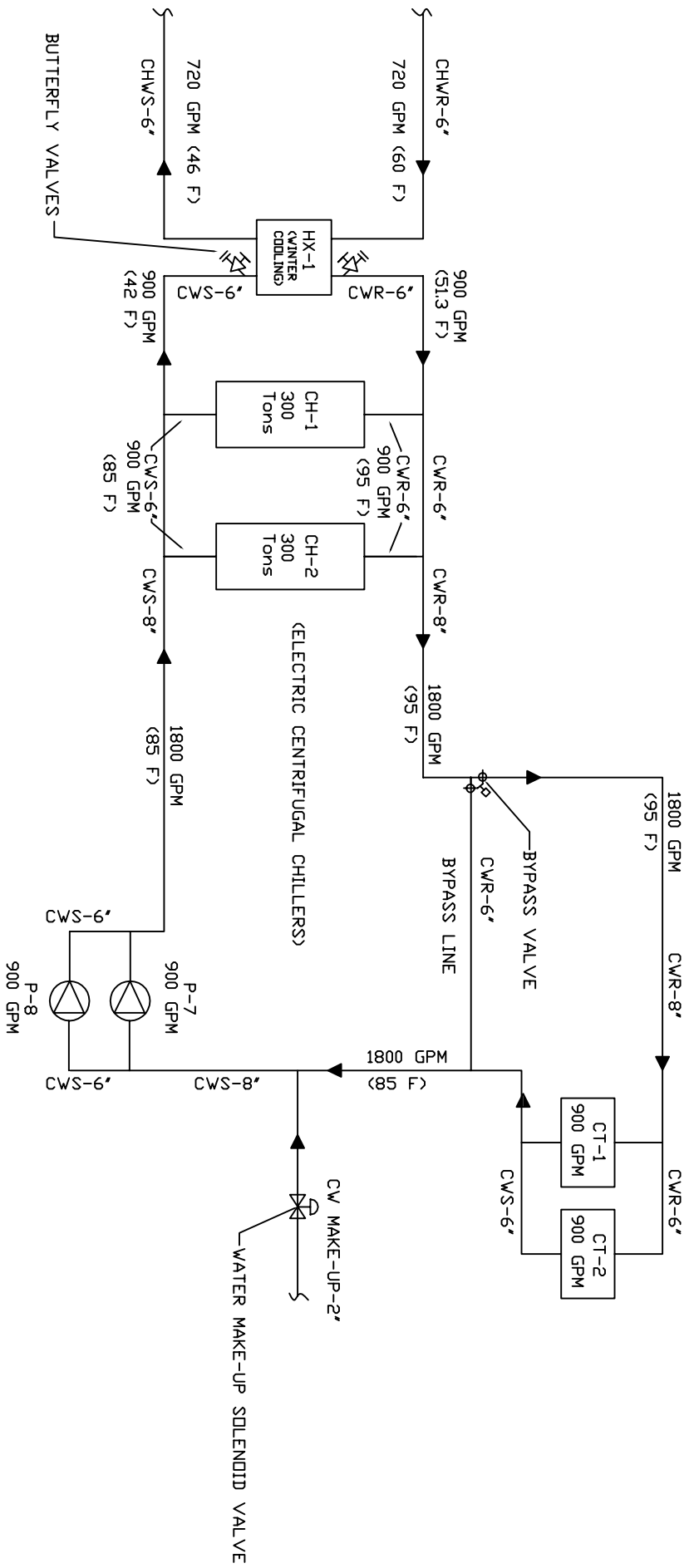
Jessica R. Baker
The Montgomery County
Conference Center and Hotel
(MCCCH), Rockville, MD

Appendix G: Flow Diagrams / Main
Mechanical Room Drawings

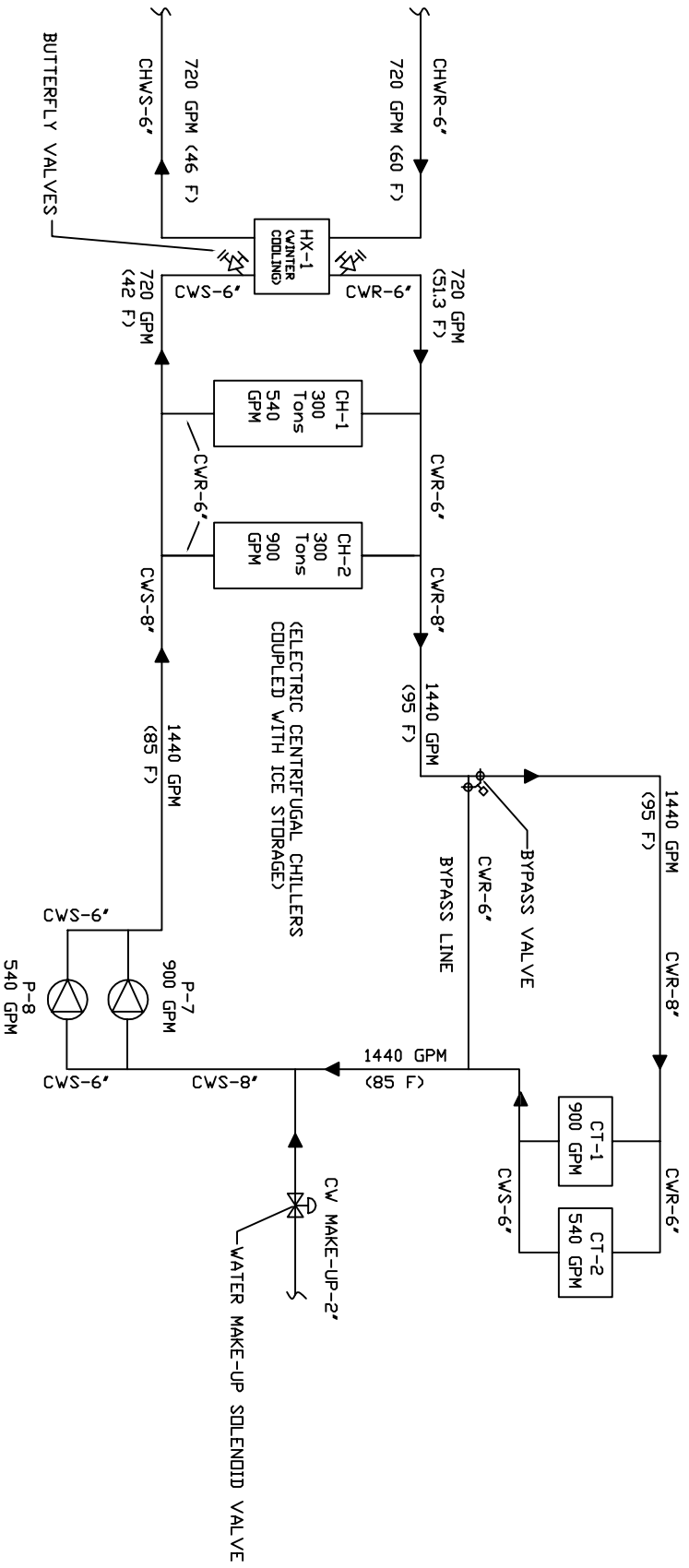




CHILLED WATER FLOW DIAGRAM
 (FOR ELECTRIC CENTRAL CHILLING PLANT WITH ICE STORAGE)
 (NOT TO SCALE)



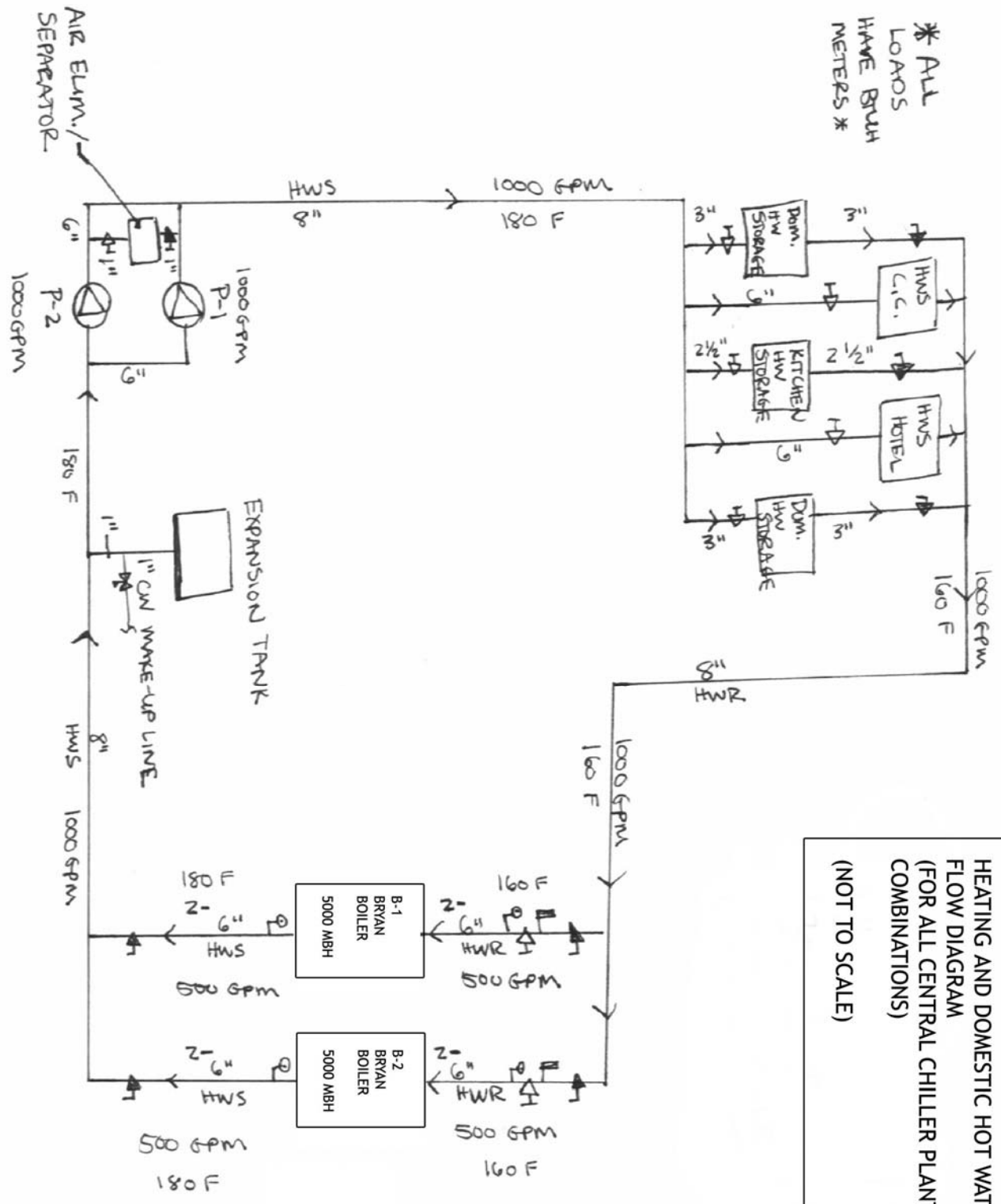
CONDENSER WATER FLOW DIAGRAM
 (FOR ELECTRIC CENTRAL CHILLING PLANT)
 (NOT TO SCALE)

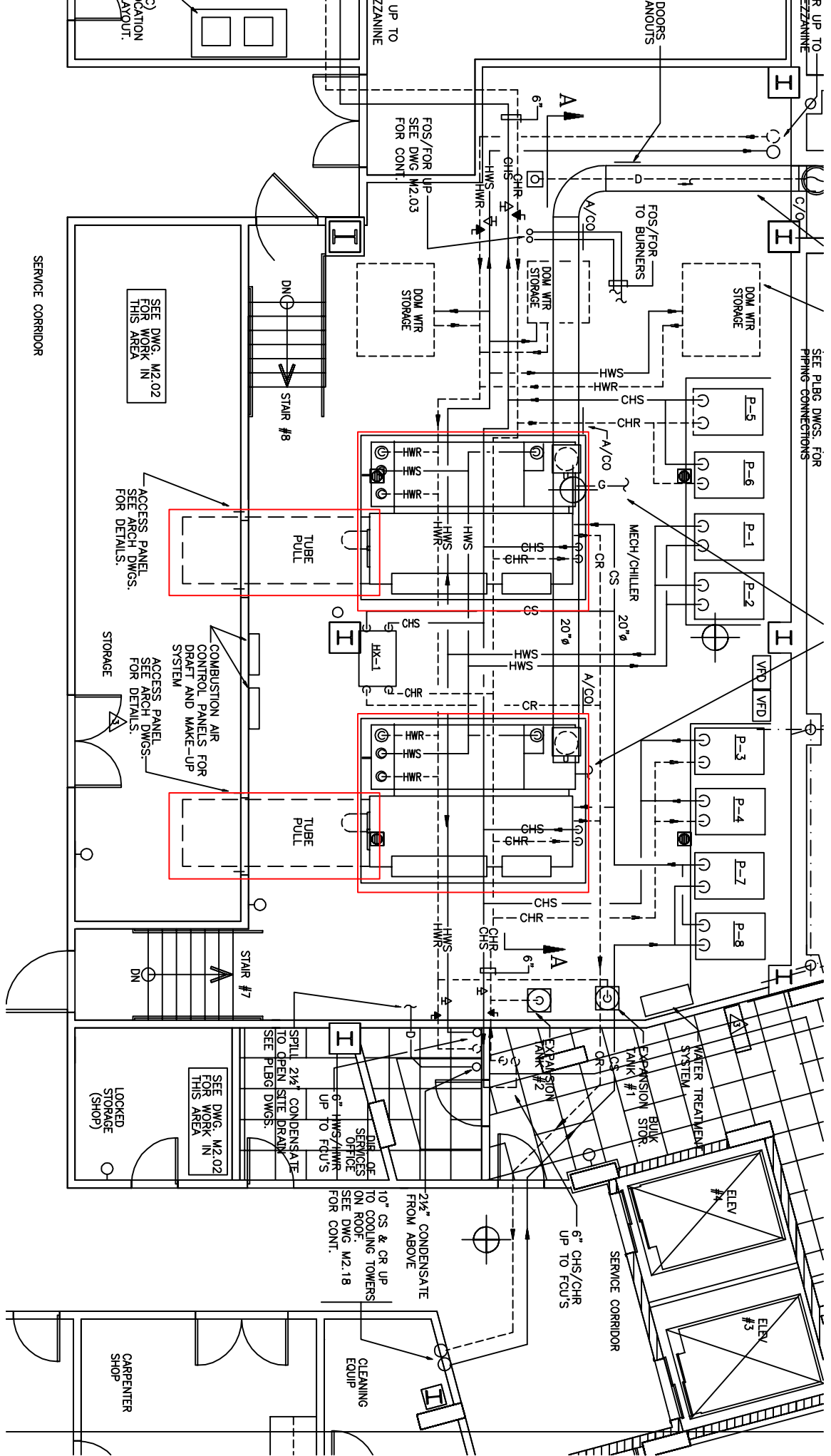


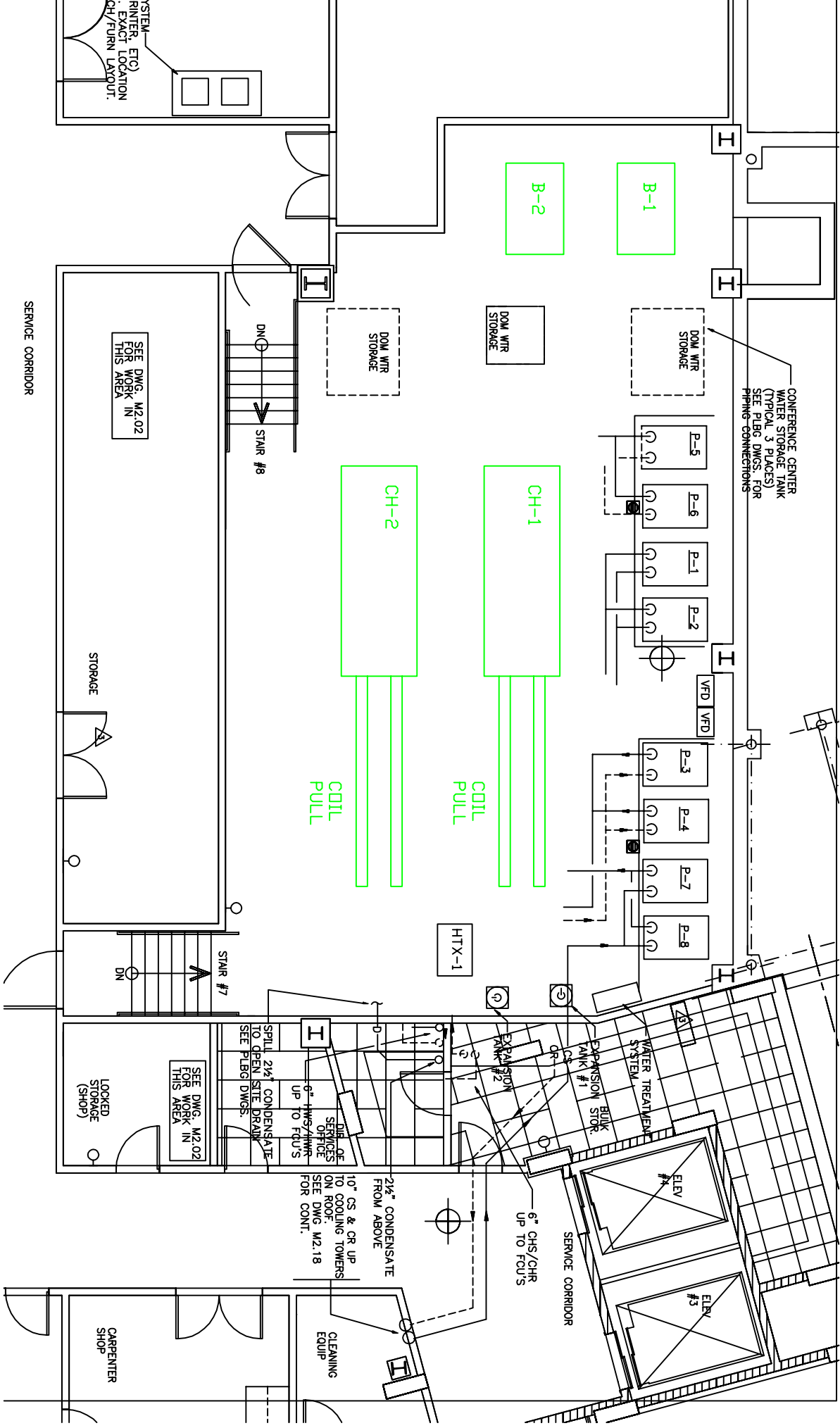
CONDENSER WATER FLOW DIAGRAM
 FOR ELECTRIC CENTRAL CHILLING PLANT WITH ICE STORAGE)
 (NOT TO SCALE)

* ALL LOADS HAVE BRUSH METERS *

HEATING AND DOMESTIC HOT WATER FLOW DIAGRAM (FOR ALL CENTRAL CHILLER PLANT COMBINATIONS) (NOT TO SCALE)







CONFERENCE CENTER WATER STORAGE TANK (TYPICAL 3 PLACES) SEE PLEBG DWGS. FOR PIPING CONNECTIONS

SEE DWG. M2.02 FOR WORK IN THIS AREA

SEE DWG. M2.02 FOR WORK IN THIS AREA

2 1/4" CONDENSATE TO OPEN SITE DRAIN. SEE PLEBG DWGS.

10" CS & CR UP TO COOLING TOWERS ON ROOF. SEE DWG. M2.18 FOR CONT.

SERVICE CORRIDOR

SERVICE CORRIDOR

STAIR #8

STAIR #7

LOCKED STORAGE (SHOP)

CLEANING EQUIP

CARPENTER SHOP

SYSTEM, RINTER, ETC) LEVAGE LOCATION AND/FURN LAYOUT.

