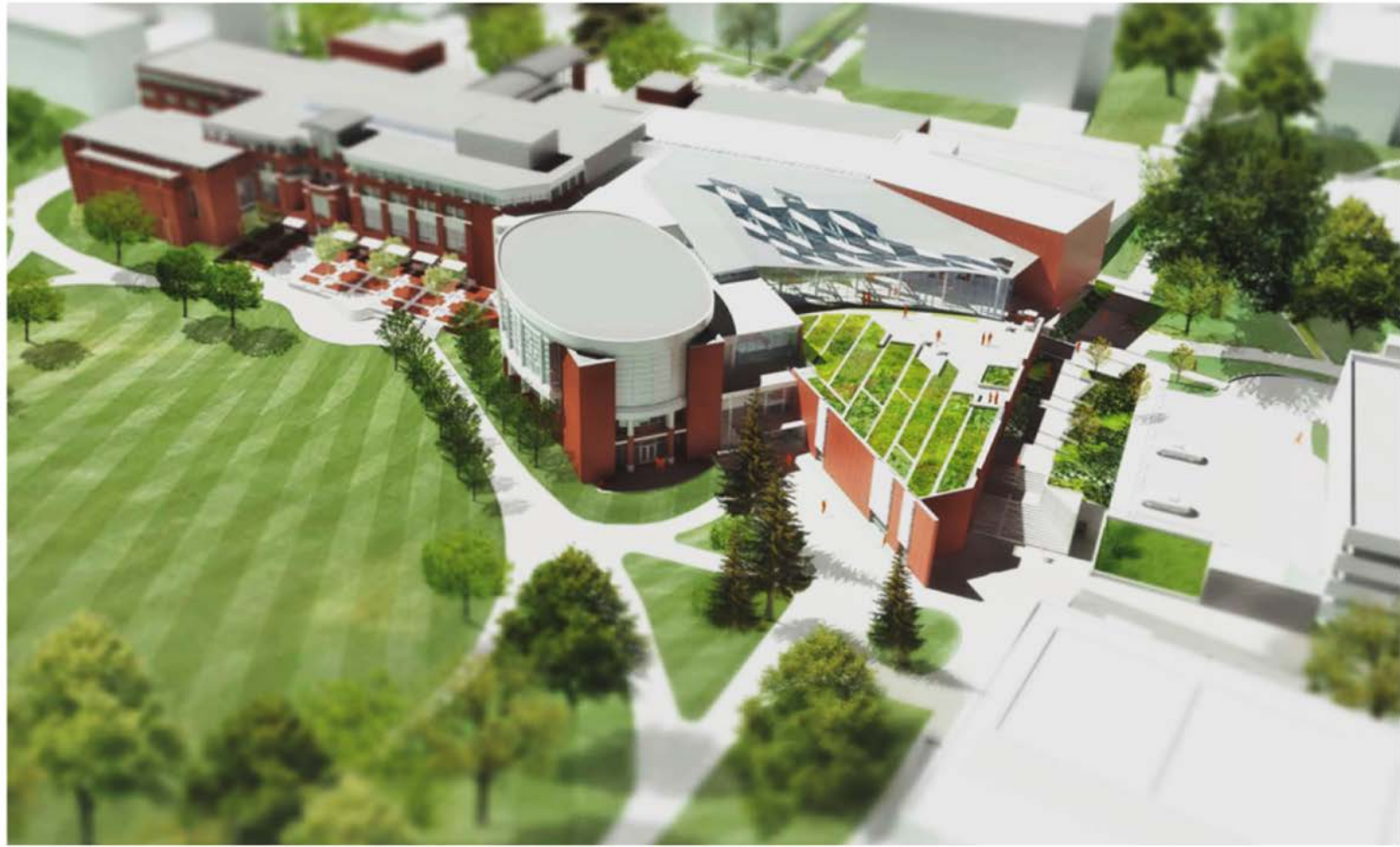


The Pennsylvania State University HUB-Robeson Addition and Renovation University Park, PA



Work In Progress

- Temporary Partitions in Meeting Rooms
- Form and Place Rebar for Courtyard Footing Extensions
- Demolition of Bookstore Walls and Courtyard
- Drilled Piles in Courtyard
- Grange Building Water Infiltration
- Excavate Coolers in Level B2 Crawlspace
- Core Drill in Food Service
- Exterior Mock-up
- Exploratory Foundation work in Bookstore Basement
- Relocated Sprinkler Pipe near Level B2 Crawlspace

Top of Parking Deck View



HUB EXPANSION

FOR THE STUDENTS
THROUGH COMMUNITY
COLLABORATION & SAFETY



South Entrance View



Loading Dock View



Bookstore Wall Demo



Courtyard Demolition



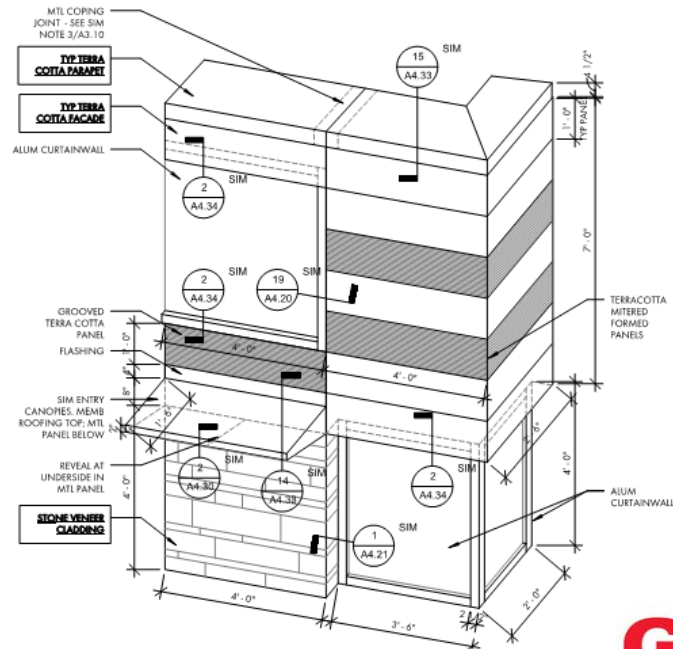
Cooler Excavation in Basement



Courtyard Footing Expansions



Exterior Mock-Up



Planned Work

- Begin Forming Shear Walls in Meeting Room
- Begin Hanging Anchor Bolts in crawlspace
- Continue Courtyard Foundations and Grade Beams
- Continue Core Drilling in Food Service Area
- Continue Demolition of Bookstore Walls
- Continue Demolition of Courtyard
- Continue Excavation in Courtyard
- Continue Relocation of Mechanical, Electrical, Plumbing, and Sprinkler near Ceramic Studio
- Continue Crawlspace Excavation
- Continue Exploratory Excavation for Sub-Basement Foundations